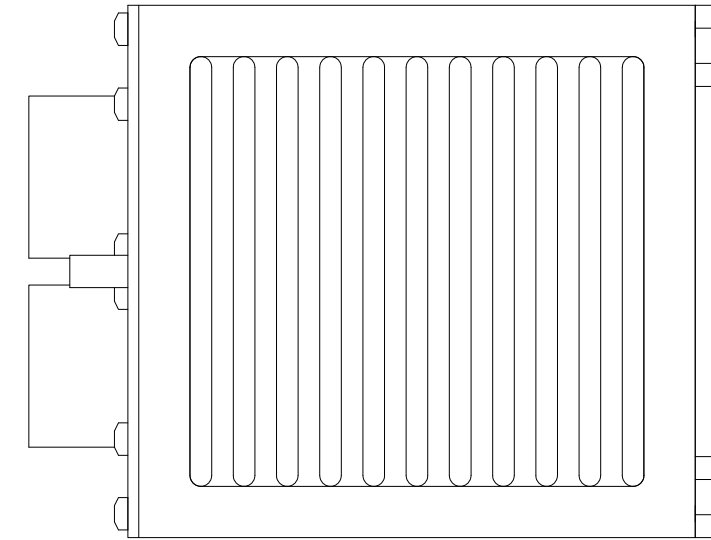
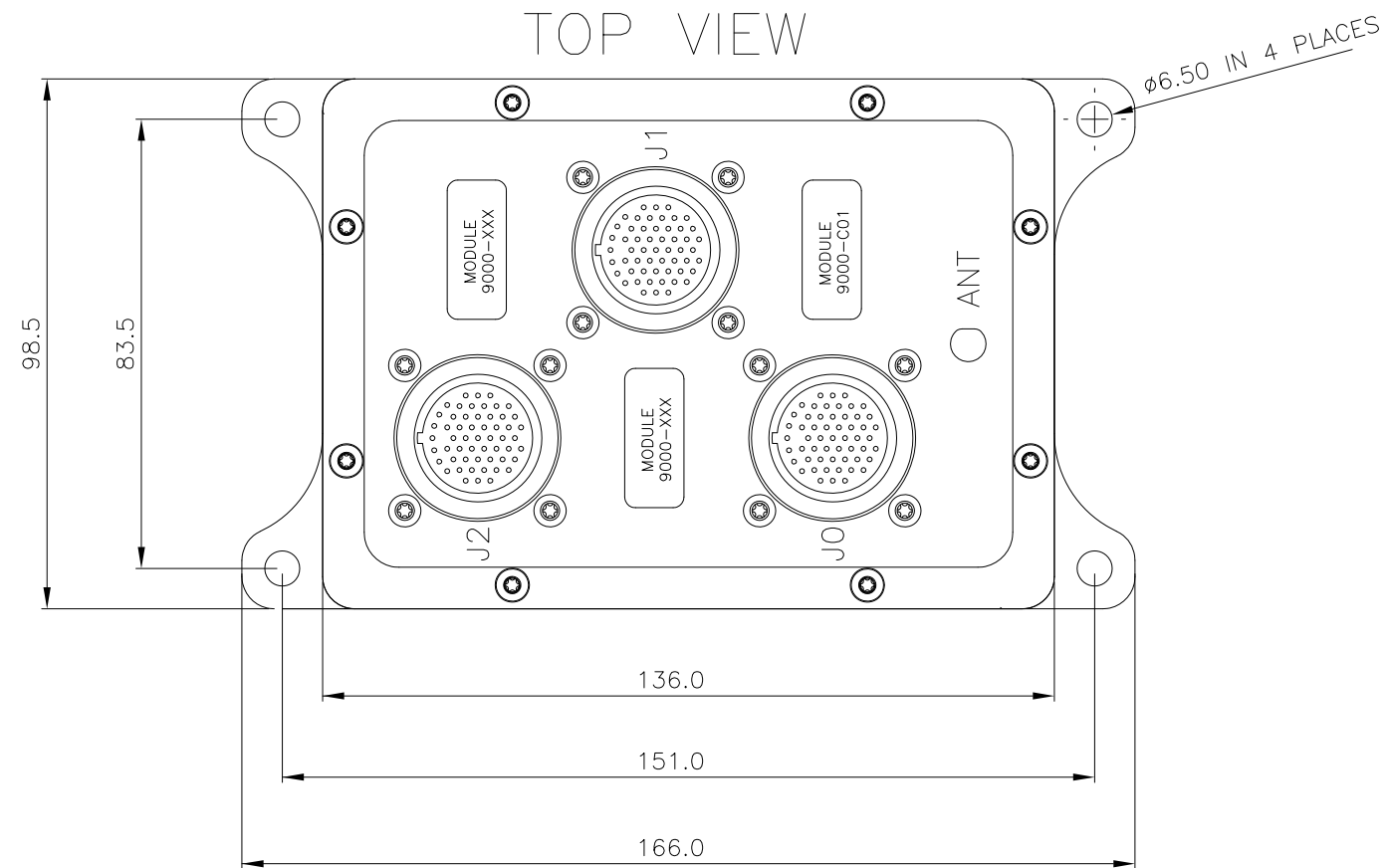
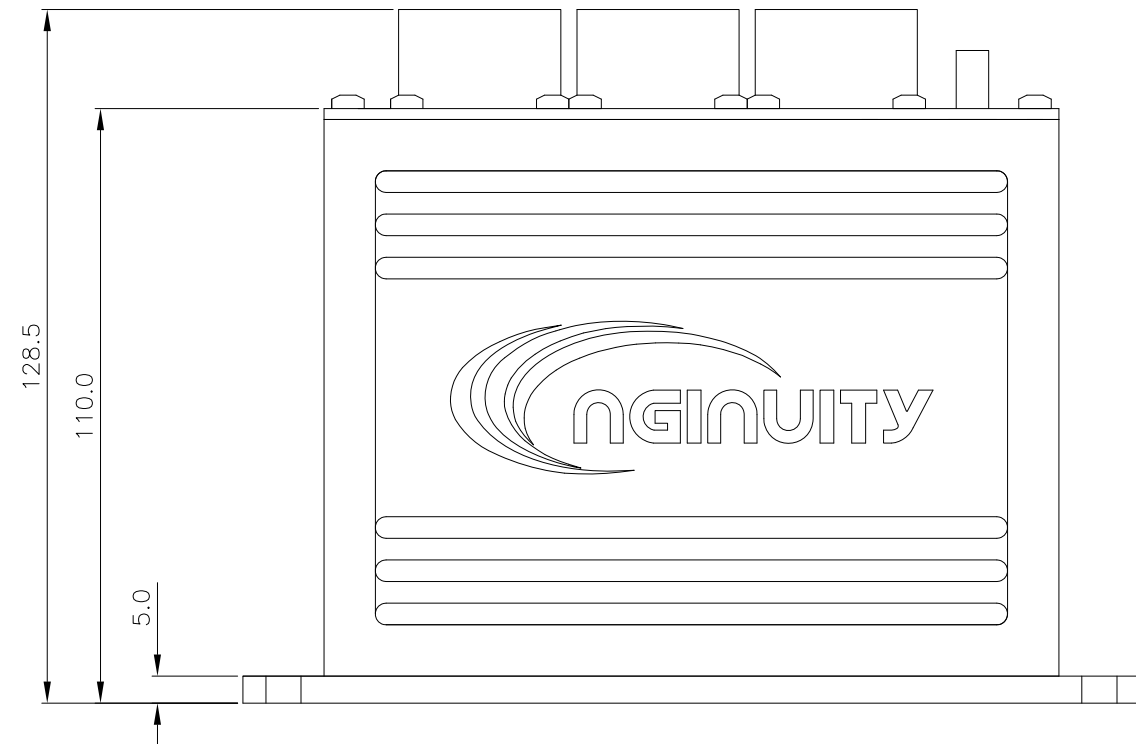


TOP VIEW



END VIEW



LEFT SIDE VIEW

GENERAL DESCRIPTION

DAQ9000 IS A COMPREHENSIVE AND HIGHLY CONFIGURABLE MULTI FUNCTION MULTI PROTOCOL DATA ACQUISITION/RECORDER SYSTEM AND DATA CONCENTRATOR FOR USE AS A FLIGHT DATA ACQUISITION UNIT OR INSTRUMENTATION DATA ACQUISITION SYSTEM. A WIDE RANGE OF CHARACTERISATION MODULES CAN BE INSTALLED TO PROVIDE THE FUNCTIONALITY DESIRED, FOR DIGITAL AND ANALOGUE INPUT AND OUTPUT. INPUTS AND OUTPUTS ARE HIGHLY CONFIGURABLE BY CUSTOMERS TO ALLOW THE USE OF COMMON HARDWARE ACROSS A RANGE OF APPLICATIONS.

DAQ9000-MK3X HAS A POWER INPUT AND SYSTEM CONTROLLER MODULE AND AN ETHERNET INTERFACE PROVIDING REAL TIME DATA OUTPUT VIA UDP,

THE 3 SLOT CHASSIS PROVIDES EXPANSION CAPABILITY FOR AN ADDITIONAL 2 MODULES FROM THE DAQ FAMILY PROVIDING FUNCTIONALITY SUCH AS ARINC-429, RS-232, RS-422, MIL-STD-1553B, CAN, ANALOGUE I/O, FREQUENCY I/O, POTENTIOMETER INPUT, STRAIN GAUGE INPUT, SYNCHRO AND DISCRETE I/O.

DAQ9000-MK3X CONFIGURATION DETAILS SUMMARY

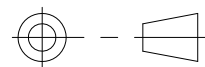
ALL 'J' CONNECTORS ARE MIL-DTL-38999 / AMPHENOL TYPE TVPS00RF-17-35P, SUFFIXED WITH THE SINGLE CHARACTER KEYWAY DESIGNATION GIVEN IN THE FOLLOWING TABLE.

ALL MATING CONNECTORS ARE MIL-DTL-38999 / AMPHENOL TYPE TVS06RF-17-35S OR EQUIVALENT, SUFFIXED WITH THE SINGLE CHARACTER KEYWAY DESIGNATION GIVEN IN THE FOLLOWING TABLE.

CONNECTOR / KEYWAY	MODULE PART NUMBER	MODULE ISSUE	MODULE FUNCTION
J0 / A	9000-C01	2	POWER INPUT AND SYSTEM CONTROLLER
J1 / N	N/A	N/A	N/A
J2 / N	N/A	N/A	N/A

GPS ANTENNA CONNECTOR 'ANT' IS SMA FEMALE JACK TYPE. MATING CONNECTOR IS AMPHENOL SF2906-6002 SMA MALE PLUG OR EQUIVALENT.

THIRD ANGLE PROJECTION TO B.S. 8888. FOR GENERAL TOLERANCES & FINISHES SEE NGINIVITY STANDARD NCP001.



©COPYRIGHT

IF IN DOUBT ASK

CAUTION- THIS DRAWING MAY NOT HAVE BEEN PRINTED FULL SIZE

APPROVED / CHECKED NSK	MATERIAL:- PRINCIPALLY ALUMINIUM ALLOY TO BS1470/1474 6082-T6	FINISH:- ALOCROM 1200 + BLACK POWDER COAT	TOLERANCES .X ±0.25 .XX ±0.13	ISSUE E1 1 DATE 11.02.14 12.01.15 CHANGE NEW CR0252											
DRAWN PDC			SCALE: 1:1 DIMS: mm	TITLE DAQ9000-MK3X DATA SHEET										DRAWING NUMBER DAQ9000-MK3X SHEET 1 OF 1	SIZE A2