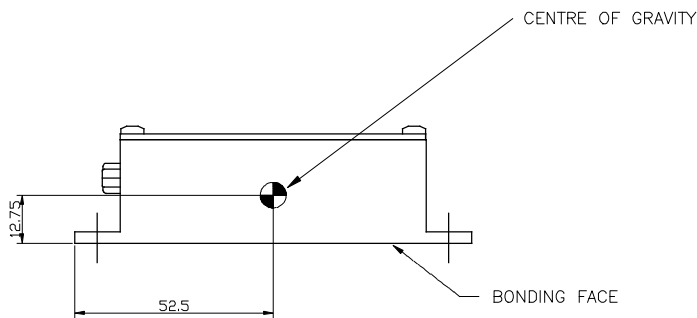


MATING ELECTRICAL PLUG  
TYPE IIT CANNON  
DAA15S-A197-F0



TECHNICAL DATA

THE IP5011 ARINC-429 TO RS-232 CONVERTER MODULE, IS A 28VDC POWERED RUGGEDISED PROTOCOL CONVERTER MODULE, COMPRISING OF 1 ARINC-429 INPUT CHANNEL AND 1 RS-232 OUTPUT CHANNEL.

THE IP5011 HAS THE OPTION FOR EITHER AN RS-422 OR USB INTERFACE AS AN ALTERNATIVE TO RS-232.

THE 'MKXX' PART NUMBER SUFFIX DEFINES THE CUSTOMER SPECIFIC CONFIGURATION OPTIONS, SUCH AS BAUD RATE, PROTOCOL AND INTERFACE TYPE.

GENERAL SPECIFICATION

POWER REQUIREMENTS: +28V POWERED (2W MAX)

WEIGHT: 0.350 kg MAX

TEMPERATURE:

OPERATING TEMPERATURE -45 TO +70 DEGREES C  
STORAGE TEMPERATURE -55 TO +85 DEGREES C

PRODUCT SPECIFICATION

IP5011MKXX-PS-R1

INTERFACE CONTROL DOCUMENT (ICD)

IP5011MKXX-ICD-R1

SOFTWARE

SOFTWARE DEVELOPMENT IN ACCORDANCE WITH THE REQUIREMENTS OF DO-178B LEVEL E.

COOLING

FREE AIR CONVECTION

PRODUCT REVISION IDENTIFICATION

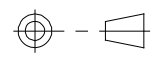
THE PRODUCT FOR WHICH THIS DOCUMENT RELATES SHALL BE IDENTIFIED WITH THE MAJOR REVISION NUMBER ONLY.

FOR EXAMPLE

DOCUMENT REVISION 2.03 REFERS TO PRODUCT REVISION 2

MINOR REVISIONS ARE RESERVED FOR DOCUMENTATION UPDATES THAT DO NOT AFFECT FORM FIT OR FUNCTION OF THE PRODUCT.

THIRD ANGLE PROJECTION TO B.S. 8888.  
FOR GENERAL TOLERANCES & FINISHES  
SEE NGINITY STANDARD NCPO01.



©COPYRIGHT

IF IN DOUBT ASK

CAUTION- THIS DRAWING MAY NOT HAVE BEEN PRINTED FULL SIZE

APPROVED	MATERIAL:-	FINISH:-	TOLERANCES	ISSUE	1													
CHECKED	PRINCIPALLY ALUMINIUM ALLOY	ALOCROM 1200	.XX +/-0.75	DATE	18.02.10													
LJC			.XXX +/-0.25	CHANGE	NEW													
DRAWN			SCALE: 1:1	TITLE												DRAWING NUMBER		SIZE
PDC			DIMS: MM															

ELECTRICAL CONNECTIONS

PIN	FUNCTION	NOTES
1	+28VDC POWER INPUT	+18 TO +32 VDC (+28V NOMINAL)
2	0V POWER INPUT	
3	CHASSIS	
4	ARINC-429 SPEED SELECT	ACTIVE LO
5	ARINC-429 RX A	
6	ARINC-429 RX B	
7	RS-232 TX OR RS-422 TX+	DUAL FUNCTION PIN (RS-232 OR RS-422)
8	RS-422 TX-	RS-422 OPTION ONLY
9	RS-232 RX OR RS-422 RX+	DUAL FUNCTION PIN (RS-232 OR RS-422)
10	RS-422 RX-	RS-422 OPTION ONLY
11	DIGITAL GROUND	
12	USB +5V	USB OPTION ONLY
13	USB D+	USB OPTION ONLY
14	USB D-	USB OPTION ONLY
15	USB 0V	USB OPTION ONLY

NOTES:

+28V DC POWER IS SUPPLIED TO THE IP5011MKXX ON PINS 1 & 2 (2 AMP SUPPLY).

ALL INSTALLATION WIRES SHOULD BE SCREENED AND TERMINATED TO THE CONNECTOR BACKSHELL EXCEPT FOR POWER INPUT (PINS 1 & 2)

EFFECTIVITY

ARINC-429 BUS SPEED SELECT (PIN 4), LINK TO 0V DC (PIN 2) FOR 12.5KHZ OPERATION, OPEN CCT. OR LINK TO +28V DC (PIN 1) FOR 100KHZ OPERATION

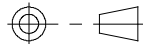
ARINC-429 INTERFACE IS OPTO-ISOLATED AND DOES NOT REQUIRE A SIGNAL GROUND

RS-232 SIGNALS (PINS 7 & 9) REFERENCED TO DIGITAL GROUND (PIN 11)

RS-422 SIGNALS (PINS 7, 8, 9 & 10) REFERENCED TO DIGITAL GROUND (PIN 11)

USB CABLE NOT TO EXCEED 5 METRES IN LENGTH

THIRD ANGLE PROJECTION TO B.S. 8888.  
FOR GENERAL TOLERANCES & FINISHES  
SEE NGINIVITY STANDARD NCPO01.



©COPYRIGHT

IF IN DOUBT ASK

CAUTION- THIS DRAWING MAY NOT HAVE BEEN PRINTED FULL SIZE

APPROVED CHECKED	MATERIAL:- PRINCIPALLY ALUMINIUM ALLOY	FINISH:- ALOCROM 1200	TOLERANCES .XX +/-0.75 .XXX +/-0.25	ISSUE DATE CHANGE	1 18.02.10 NEW														
LJC																			
DRAWN PDC			SCALE: 1:1 DIMS: MM	TITLE ARINC-429 TO RS-232 CONVERTER MODULE					DRAWING NUMBER IP5011MKXX SHEET 2 OF 2					SIZE A2					