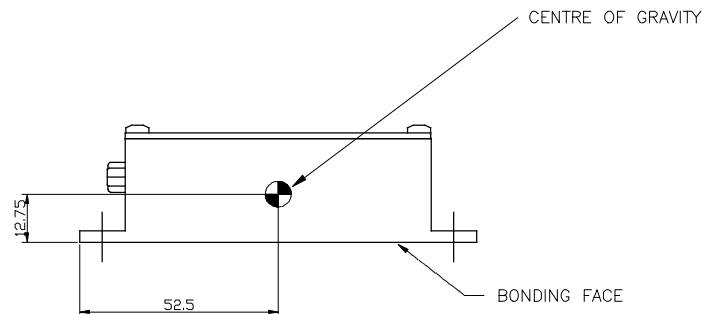


4 HOLES Ø 5.5



MATING ELECTRICAL PLUG
TYPE ITT CANNON
DAA15S-A197-F0

THIRD ANGLE PROJECTION TO B.S. 8888.
FOR GENERAL TOLERANCES & FINISHES
SEE NGINITY STANDARD NCPO01.



©COPYRIGHT

IF IN DOUBT ASK

TECHNICAL DATA

THE IP5015MKXX-8W IS A 28V DC POWERED, 8 WATT UTILITY POWER SUPPLY MODULE WITH A STATUS OUTPUT AND SHUTDOWN INPUT.

THE 'MKXX' PART NUMBER SUFFIX DEFINES THE OUTPUT VOLTAGE (+3.3V, +5V, +12V or +15V) AND SINGLE OR DUAL RAIL OPTION.

GENERAL SPECIFICATION

POWER REQUIREMENTS: +28V POWERED (10W MAX)

WEIGHT: 0.350 kg MAX

TEMPERATURE:

OPERATING TEMPERATURE -45 TO +70 DEGREES C
STORAGE TEMPERATURE -55 TO +85 DEGREES C

PRODUCT SPECIFICATION

IP5015MKXX-8W-PS-R1

INTERFACE CONTROL DOCUMENT (ICD)

IP5015MKXX-8W-ICD-R1

SOFTWARE

THE IP5015MKXX-8W DOES NOT CONTAIN A SOFTWARE ASSEMBLY

COOLING

FREE AIR CONVECTION

PRODUCT REVISION IDENTIFICATION

THE PRODUCT FOR WHICH THIS DOCUMENT RELATES SHALL BE IDENTIFIED WITH THE MAJOR REVISION NUMBER ONLY.

FOR EXAMPLE

DOCUMENT REVISION 2.03 REFERS TO PRODUCT REVISION 2

MINOR REVISIONS ARE RESERVED FOR DOCUMENTATION UPDATES THAT DO NOT AFFECT FORM FIT OR FUNCTION OF THE PRODUCT.

CAUTION- THIS DRAWING MAY NOT HAVE BEEN PRINTED FULL SIZE

APPROVED CHECKED	MATERIAL:- PRINCIPALLY ALUMINIUM ALLOY	FINISH:- ALOCROM 1200	TOLERANCES .XX +/-0.75 .XXX +/-0.25	ISSUE DATE CHANGE	1 23.10.09 NEW														
LJC																			
DRAWN PDC			SCALE: 1:1 DIMS: MM	TITLE POWER SUPPLY MODULE (8W SINGLE/DUAL OUTPUT)					DRAWING NUMBER IP5015MKXX-8W SHEET 1 OF 2					SIZE A2					

ELECTRICAL CONNECTIONS

PIN	FUNCTION	NOTES
1	+28VDC POWER INPUT	+18 TO +32 VDC (+28V NOMINAL)
2	0V POWER INPUT	
3	CHASSIS	
4	STATUS OUTPUT	NORMAL=GROUND TO PIN 2, FAULT=OPEN CCT.
5	0V UTILITY OUTPUT COMMON	OUTPUT COMMON ON ALL VARIANTS
6	SHUTDOWN INPUT	NORMAL=OPEN CCT, SHUTDOWN=GROUND TO PIN 2
7	RESERVED	
8	+3.3V UTILITY OUTPUT	MK3.3 VARIANT ONLY
9	RESERVED	
10	+5V UTILITY OUTPUT	MK05 & MK05D VARIANTS ONLY
11	-5V UTILITY OUTPUT	MK05D VARIANT ONLY
12	+12V UTILITY OUTPUT	MK12 & MK12D VARIANTS ONLY
13	-12V UTILITY OUTPUT	MK12D VARIANT ONLY
14	+15V UTILITY OUTPUT	MK15 & MK15D VARIANTS ONLY
15	-15V UTILITY OUTPUT	MK15D VARIANT ONLY

NOTES

+28V DC POWER IS SUPPLIED TO THE IP5015MKXX-8W ON PINS 1 & 2 (2 AMP SUPPLY).

THE IP5015MKXX-8W OUTPUT VOLTAGE IS DEFINED BY THE 'MKXX' PART NUMBER SUFFIX, FOR EXAMPLE AN IP5015MK05-8W HAS A 5 VOLT OUTPUT AND AN IP5015MK12-8W HAS A 12 VOLT OUTPUT ETC.

THE IP5015MKXX-8W HAS THE OPTION OF DUAL SUPPLIES (NEGATIVE RAIL), THIS IS IDENTIFIED USING A 'D' SUFFIX TO THE PART NUMBER. FOR EXAMPLE A +/-12V OPTION WOULD BE PART NUMBER IP5015MK12D-8W.

OUTPUT POWER IS TAKEN FROM THE UTILITY OUTPUTS (MK05 PIN 10, MK12 PIN 12 ETC.) WITH RESPECT TO 0V OUTPUT COMMON (PIN 5).

THE IP5015 PROVIDES A STATUS OUTPUT ON PIN 4. WHEN THE OUTPUT OF THE IP5015MKXX-8W IS VALID PIN 4 IS SWITCHED TO PIN 2 (0V INPUT) WHEN INVALID PIN 4 IS OPEN CCT. THE IP5015MKXX-8W STATUS OUTPUT IS CAPABLE OF SINKING UP TO 100mA.

THE IP5015MKXX-8W ALSO PROVIDES A SHUTDOWN INPUT ON PIN 6. THIS PIN MUST BE GROUNDED TO PIN 2 TO ENTER SHUTDOWN MODE. ALTERNATIVELY THIS PIN MAY BE LEFT OPEN CCT. FOR NORMAL OPERATION.

PRODUCT FEATURES

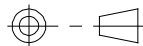
REVERSE POLARITY PROTECTED

INTERNAL OVER CURRENT AND THERMAL FUSE PROTECTED

AUTOMATIC UNDER VOLTAGE SHUTDOWN

CONTINUOUS SHORT CIRCUIT PROTECTION WITH AUTO RECOVERY

THIRD ANGLE PROJECTION TO B.S. 8888.
FOR GENERAL TOLERANCES & FINISHES
SEE NGINIVITY STANDARD NCPO01.



©COPYRIGHT

IF IN DOUBT ASK

CAUTION- THIS DRAWING MAY NOT HAVE BEEN PRINTED FULL SIZE

APPROVED CHECKED	MATERIAL:- PRINCIPALLY ALUMINIUM ALLOY	FINISH:- ALOCROM 1200	TOLERANCES .XX +/-0.75 .XXX +/-0.25	ISSUE DATE CHANGE	1 23.10.09 NEW												
DRAWN PDC			SCALE: 1:1 DIMS: MM	TITLE POWER SUPPLY MODULE (8W SINGLE/DUAL OUTPUT)				DRAWING NUMBER IP5015MKXX-8W SHEET 2 OF 2				SIZE A2					