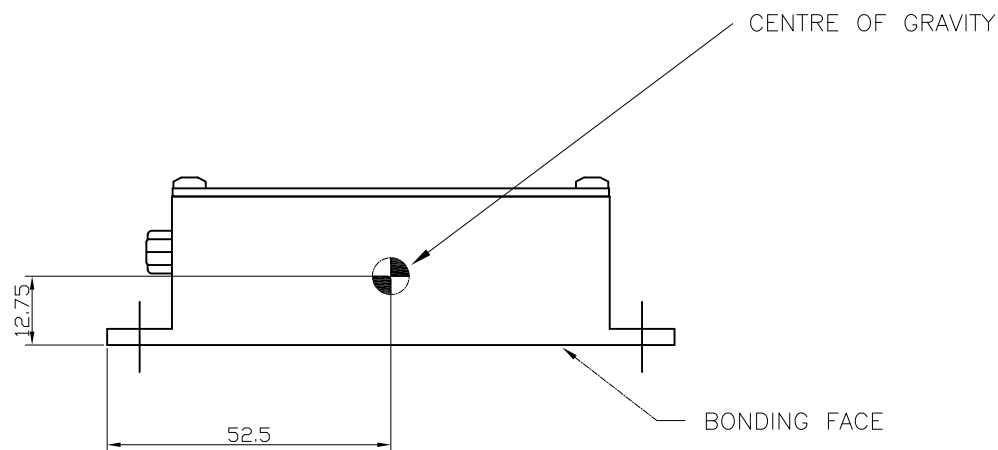


4 HOLES Ø 5.5

MATING ELECTRICAL PLUG
TYPE ITT CANNON
DAA15S-A197-F0



TECHNICAL DATA

THE IP5016MK01 IS A +28V POWERED ARINC-429 BUFFER MODULE, PROVIDING A SINGLE ARINC-429 INPUT CHANNEL AND FOUR INDIVIDUALLY BUFFERED ARINC-429 OUTPUT CHANNELS.

THE IP5016MK01 ALSO INCLUDES A DISCRETE INPUT FOR SIGNAL RISE TIME SELECTION (10US OR 1.5US) FOR 12.5KHZ OR 100KHZ OPERATION.

GENERAL SPECIFICATION

POWER REQUIREMENTS: +28V POWERED (3W MAX)

WEIGHT: 0.200Kg MAX

TEMPERATURE:

OPERATING TEMPERATURE -40 TO +70 DEGREES C
STORAGE TEMPERATURE -55 TO +85 DEGREES C

PRODUCT SPECIFICATION

IP5016MK01-PS

INTERFACE CONTROL DOCUMENT (ICD)

IP5016MK01-ICD

SOFTWARE

THE IP5016MK01 CONTAINS NO SOFTWARE OR PROGRAMMABLE LOGIC ASSEMBLIES. FUNCTIONALITY IS ACHIEVED USING ANALOGUE CIRCUITRY ALONE.

COOLING

FREE AIR CONVECTION

PRODUCT REVISION IDENTIFICATION

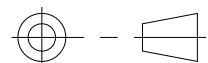
THE PRODUCT FOR WHICH THIS DOCUMENT RELATES SHALL BE IDENTIFIED WITH THE MAJOR REVISION NUMBER ONLY.

FOR EXAMPLE

DOCUMENT REVISION 2.03 REFERS TO PRODUCT REVISION 2

MINOR REVISIONS ARE RESERVED FOR DOCUMENTATION UPDATES THAT DO NOT AFFECT FORM FIT OR FUNCTION OF THE PRODUCT.

THIRD ANGLE PROJECTION TO B.S. 8888.
FOR GENERAL TOLERANCES & FINISHES
SEE NGINITY STANDARD NCP001.



© COPYRIGHT

IF IN DOUBT ASK

CAUTION- THIS DRAWING MAY NOT HAVE BEEN PRINTED FULL SIZE

| | | | | | | | | | | | | | | | | | | | |
|----------------------------|---|--------------------------|---|---|----------------------|--|--|--|---|--|--|--|--|------------|--|--|--|--|--|
| APPROVED CHECKED LJC | MATERIAL:- PRINCIPALLY ALUMINIUM ALLOY | FINISH:- ALOCROM 1200 | TOLERANCES .XX +/-0.75 .XXX +/-0.25 | ISSUE DATE CHANGE | 1 18.07.10 NEW | | | | | | | | | | | | | | |
| DRAWN PDC | | | SCALE: 1:1 DIMS: MM | TITLE 1 TO 4 CHANNEL ARINC-429 BUFFER MODULE | | | | | DRAWING NUMBER IP5016MK01 SHEET 1 OF 2 | | | | | SIZE A2 | | | | | |

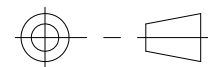
ELECTRICAL CONNECTIONS

| PIN | FUNCTION | NOTES |
|-----|----------------------------|-------------------------------|
| 1 | +28VDC POWER INPUT | +18 TO +32 VDC (+28V NOMINAL) |
| 2 | 0V POWER INPUT | |
| 3 | CHASSIS | |
| 4 | ARINC-429 RX A | SEE NOTE 3 |
| 5 | ARINC-429 RX B | SEE NOTE 3 |
| 6 | DIGITAL GROUND | |
| 7 | ARINC-429 TX A (GROUP 1) | SEE NOTE 4 |
| 8 | ARINC-429 TX B (GROUP 1) | SEE NOTE 4 |
| 9 | ARINC-429 TX A (GROUP 2) | SEE NOTE 4 |
| 10 | ARINC-429 TX B (GROUP 2) | SEE NOTE 4 |
| 11 | ARINC-429 TX A (GROUP 3) | SEE NOTE 4 |
| 12 | ARINC-429 TX B (GROUP 3) | SEE NOTE 4 |
| 13 | ARINC-429 TX A (GROUP 4) | SEE NOTE 4 |
| 14 | ARINC-429 TX B (GROUP 4) | SEE NOTE 4 |
| 15 | ARINC-429 RISE TIME SELECT | SEE NOTE 5 |

NOTES:

- 1) +28V DC POWER IS SUPPLIED TO THE IP5016MK01 ON PINS 1 & 2
RECOMMENDED CIRCUIT BREAKER RATING 2A
- 2) ALL INSTALLATION WIRES SHOULD BE SCREENED AND TERMINATED TO THE CONNECTOR BACKSHELL EXCEPT FOR POWER INPUT (PINS 1 & 2)
- 3) ARINC-429 INPUT REFERENCED TO PIN 6.
- 4) ARINC-429 OUTPUT(S) REFERENCED TO PIN 6.
- 5) LINK TO PIN 1 FOR 100KHZ OPERATION, OPEN CCT. OR LINK TO PIN 2 FOR 12.5KHZ OPERATION.
- 6) INTERNAL OVER CURRENT PROTECTION 0.5A (SELF RESETTING)
- 7) INTERNAL OVER TEMPERATURE PROTECTION (+105°C)
- 8) INTERNAL REVERSE POLARITY PROTECTION (SERIES DIODE)

THIRD ANGLE PROJECTION TO B.S. 8888.
FOR GENERAL TOLERANCES & FINISHES
SEE NGINIVITY STANDARD NCP001.



©COPYRIGHT

IF IN DOUBT ASK

CAUTION- THIS DRAWING MAY NOT HAVE BEEN PRINTED FULL SIZE

| | | | | | | | | | | | | | | | | | | | |
|---------------------|--|---------------------------|---|---|------------------|--|--|--|--|--|--|--|--|---|--|--|--|------------|--|
| APPROVED CHECKED | MATERIAL:-- PRINCIPALLY ALUMINIUM ALLOY | FINISH:-- ALOCROM 1200 | TOLERANCES .XX +/-0.75 .XXX +/-0.25 | ISSUE 1 | DATE 18.07.10 | | | | | | | | | | | | | | |
| LJC | | | | CHANGE NEW | | | | | | | | | | | | | | | |
| DRAWN PDC | | | SCALE: 1:1 DIMS: MM | TITLE 1 TO 4 CHANNEL ARINC-429 BUFFER MODULE | | | | | | | | | | DRAWING NUMBER IP5016MK01 SHEET 2 OF 2 | | | | SIZE A2 | |